

project 1500



Low profile version

Features & Benefits

- Low profile or capstan versions
- Smooth, contemporary styling; topworks constructed of corrosion-resistant chromed-bronze
- Unique lockable clutch on LP models to avoid accidental deployment
- Self-lubricating synthetic pressure finger assists in seamless rope/chain transition
- 1200 or 1500 Watt series wound motors provide fast, powerful retrieval and deployment
- 12VDC or 24VDC
- Accepts $\frac{5}{16}$ " HT, $\frac{5}{16}$ " BBB, $\frac{3}{8}$ " HT and $\frac{7}{16}$ " HT chain spliced to $\frac{9}{16}$ ", $\frac{5}{8}$ " and $\frac{3}{4}$ " nylon 3-strand rope
- Manual override with handle included
- Sealed 70:1 oil bath gearbox features stainless steel worm screw and corrosion-resistant anodized housing

Lofrans proudly introduces the Project 1500 for owners of yachts to 59'. Continuing on the success of the Project 1000, the 1500 is larger, accepts several chain and rope sizes, and is offered with multiple motor configurations. The Project 1500 features contemporary styling with a robust, dual direction high torque series-wound motor. The marine grade chromed bronze is hand polished for a mirror-like finish.

Every engineering detail is designed for durable, long lasting performance. The corrosion-resistant, anodized aluminum sealed oil bath gearbox features a 70:1 gear ratio for fast, controlled deployment and recovery of the ground tackle system. The balanced clutch cone system engages and disengages easily for "free fall" or independent capstan operation.

A locking nut is provided on low profile models as an added safety feature to help prevent accidental anchor deployment. Manual override is included as a standard feature, along with a nickel-plated chainwheel gypsy, water-tight control box and two covered footswitches.



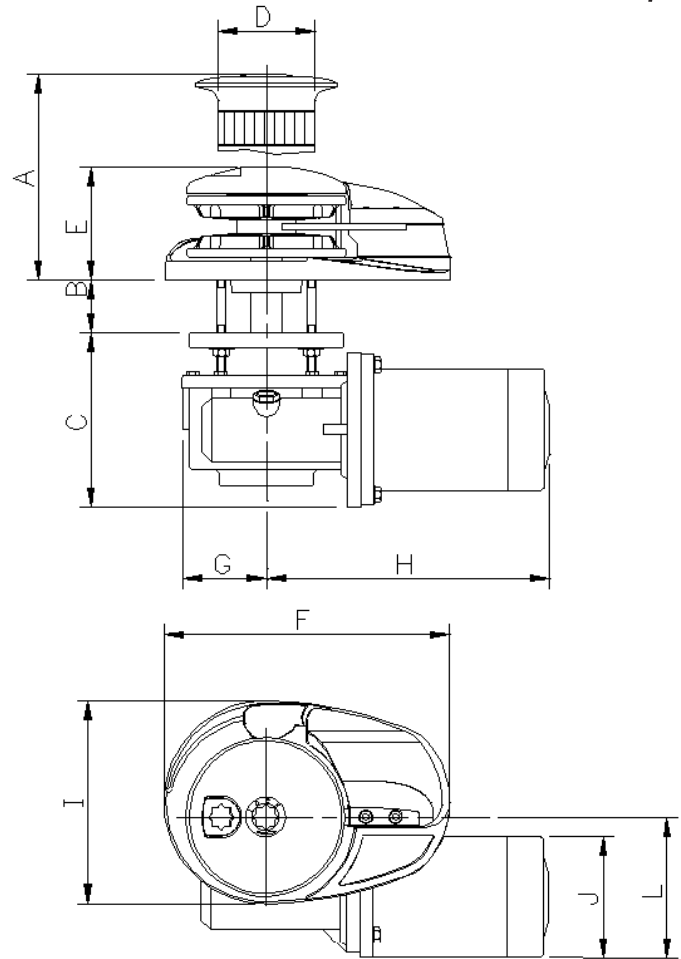
Capstan version

Specifications

| | |
|--|--|
| Chain sizes: | 5/16" HT, 5/16" BBB, 3/8" HT, 7/16" HT |
| Rope sizes: | 9/16", 5/8", 3/4" 3-Strand Nylon |
| Motor wattage: Voltage: | 1200W or 1500W, 12VDC or 24VDC |
| Power rating: | 1700 lbs (1200W) 2300 lbs (1500W) |
| Amp draw: | 1200W 80-120A (12V) 50-70A (24V) 1500W 90-130A (12V) 50-80A (24V) |
| Retrieval speed: | 52-72 ft/min (1200W) 59-78 ft/min (1500W) |
| Weight: | 62 lbs (1200W) 69 lbs (1500W) |
| Deck thickness: | 1 ⁵ / ₁₆ " to 2 ³ / ₄ " (Standard) |
| Extra Deck Clearance Models offer deck thickness up to 6". | |

Standard Equipment

- Watertight dual-direction control box
- Two heavy duty covered footswitches
- Emergency override handle
- Rope/chain gypsy
- Neoprene deck gasket (eliminates the need for messy caulk on the deck)



Project 1500 Dimensions

| | A | B | C | D | E | F | G | H | I | J | L |
|--------|---------------------------------|--|-------------------------------|-------------------------------|--------------------------------|--------------------------------|-------------------------------|--|--------------------------------|--|--------------------------------|
| mm | 195 | Min 50 Max 70 | 165 | 92 | 110 | 270 | 80 | 270* 300* | 192* | 114* 126* | 135* |
| inches | 7 ¹¹ / ₁₆ | Min 1 ¹⁵ / ₁₆ Max 2 ³ / ₄ | 6 ¹ / ₂ | 3 ⁵ / ₈ | 4 ⁵ / ₁₆ | 10 ⁹ / ₈ | 3 ¹ / ₈ | 10 ⁵ / ₈ * 11 ¹³ / ₁₆ * | 7 ⁹ / ₁₆ | 4 ¹ / ₂ * 4 ¹⁵ / ₁₆ * | 5 ⁵ / ₁₆ |

*1200W model only *1500W model only

Imtra offers a full range of Lofrans windlasses, including vertical (capstan or low-profile) and horizontal models. We also feature a wide selection of Imtra switchgear and accessories to help complete your windlass system. To find out more, or to locate a dealer near you, visit www.imtra.com or call Imtra at 508-995-7000.



Photo: 475 Walkaround Intrepid, courtesy of Intrepid Powerboats