



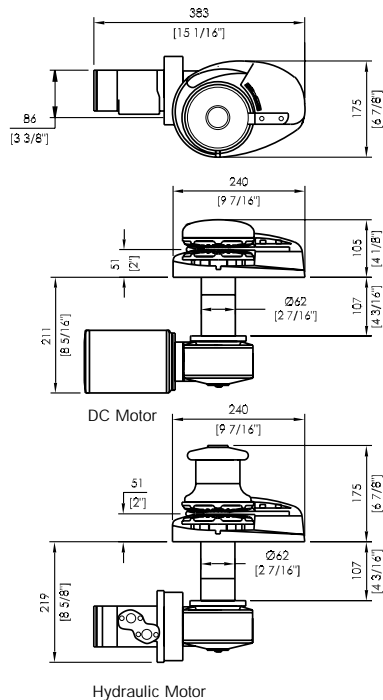
Atlantic 1000/1200



VR1000/1200



VRC1000/1200



Model	Premium Model	Premium Model
	VR/VRC1000	VR/VRC1200
VESSEL LENGTH	10 - 13m	11 - 15m
	32 - 42ft	35 - 48ft
POWER SUPPLY (DC)	12/24V	12/24V
MOTOR (Watts)	1000	1200
HYDRAULIC PRESSURE	7MPa	7MPa
	1000PSI	1000PSI
HYDRAULIC FLOW	15L/min	15L/min
	4gal/min	4gal/min
MAX LOAD	500kg	545kg
	275lb	1200lb
WORK LOAD	125kg	136kg
	275lb	300lb
AMPS WORK LOAD	100/60	120/75
MAX LINE SPEED	15m/min	15m/min
	48ft/min	48ft/min
CHAIN SIZE	6 - 8 - 10mm	6 - 8 - 10mm
	1/4 - 5/16 - 3/8"	1/4 - 5/16 - 3/8"
ROPE SIZE	12 - 14 - 16mm	12 - 14 - 16mm
	1/2 - 9/16 - 5/8"	1/2 - 9/16 - 5/8"
NET WEIGHT	DC VR 23kg VRC 25kg HYD VR 23kg VRC 24kg	
	DC VR 51lb VRC 46lb HYD VR 51lb VRC 53lb	
MANUAL OPERATION	MORS (std)	MORS (std)

Features

- Manual Override System (MORS)
- Rope chain combination gypsy for rope and chain combination or chain only
- Quick release integrated swivel chain pipe cover
- Gypsy with capstan (VRC) or gypsy with low profile clutch top arrangement (VR)
- Heavy duty marine grade, dual direction motor in 12 & 24V DC, Hydraulic
- Luxury chromed finish over marine grade bronze
- Independent gypsy and capstan operation
- Capstan model features heavy duty knurled finish for increased grip
- Self aligning gearbox/adaptor
- Stainless steel shaft
- Cone clutch/brake
- Stainless steel mounting bolts
- Shaft seal
- Lubricating grease nipple
- Clutch release handle
- Installation/Operation booklet

Options

- Round base VR/VRC model (chain only)
- Rope Chain Management System (RCMS)
- Traditional polished bronze finish
- Extra deck clearance kit for any deck thickness
- Full range of accessories including chain, rope, anchors, anchor roller, chain stoppers, snubber kits & devil claws
- Electric & hydraulic operating options & accessories
- Auto anchor



Round base
Muir Atlantic 1000/1200