

project 1000



Low profile version

Features & Benefits

- Low profile or capstan versions
- Smooth, contemporary styling; topworks constructed of corrosion-resistant chromed-bronze
- Unique lockable clutch on LP models to avoid accidental deployment
- Self-lubricating Delrin pressure finger assists in seamless rope/chain transition
- 1000 Watt, 2-speed motor provides fast, powerful retrieval and accelerated payout
- Accepts 5/16" High Test or BBB chain spliced to 9/16" or 9/8" 3-strand nylon rope
- Manual override with handle included
- Mainshaft and chainpipe holes are the same diameter and can be cut with a simple hole saw
- Keylocks in the black-anodized gearbox make connecting the gearbox and topworks a simple, one-person task

The new Project 1000 windlass from Lofrans features sleek, contemporary styling while taking function to the next level. The Project 1000 features a high torque series-wound electric motor that delivers immediate power and offers accelerated payout of ground tackle. This unique motor design enables the operator to lower the anchor to the sea bed floor safely and quickly – a tremendous benefit in a tight anchorage! Retrieval speed is not sacrificed, ensuring the ground tackle is recovered at a rate that allows the operator to safely control stowage of the rode.

The internal working of the windlass is advanced as well. The milled mainshaft eliminates the need for key stock in the topworks, which makes servicing easier. The mainshaft is also supported by a sealed AISI 440 watertight bearing.

The Project 1000 gives you instant power, Lofrans durability and unsurpassed convenience.

Capstan version

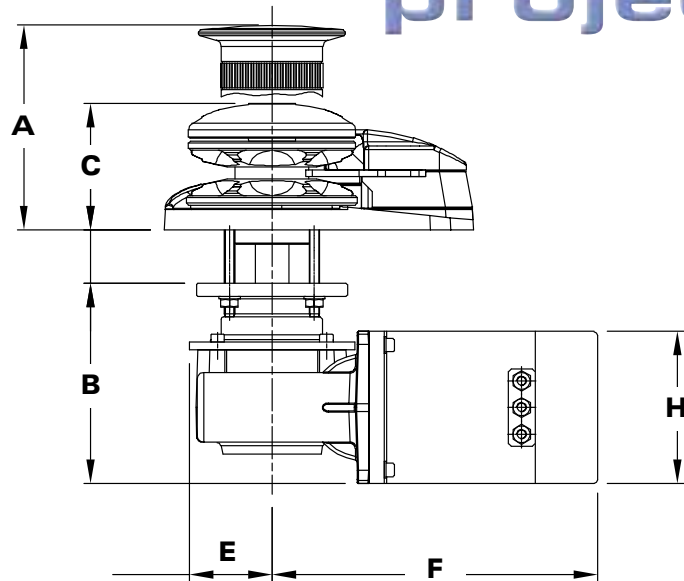


Specifications

- ❑ Chain sizes: $\frac{5}{16}$ " HT or $\frac{5}{16}$ " BBB
- ❑ Rope sizes: $\frac{9}{16}$ " or $\frac{5}{8}$ " 3-Strand Nylon
- ❑ Motor size: 1000 Watt, 12VDC or 24VDC
- ❑ Power rating: 1450 lbs
- ❑ Amp draw: 70-110A (12V); 40-60A (24V)
- ❑ Retrieval speed: 52-79 ft/min
- ❑ Payout speed: 145 ft/min
- ❑ Weight: 45 lbs
- ❑ Deck thickness:
 - Standard models: 1" to $1\frac{3}{4}$ "
 - With optional fasteners: 1" to $2\frac{3}{4}$ "
 - Extra Deck Clearance models: up to 5"

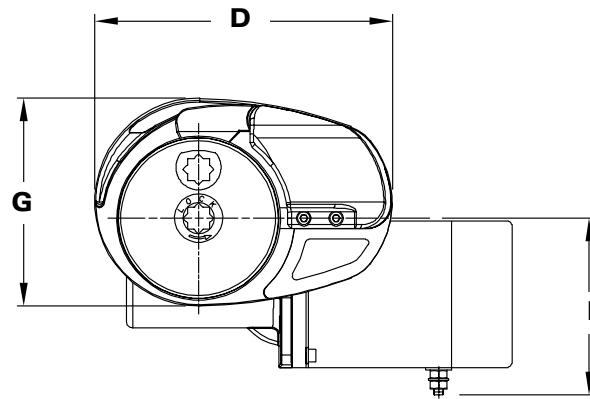
Standard Equipment

- ❑ Watertight dual-direction control box
- ❑ Two heavy duty covered footswitches
- ❑ Emergency override handle
- ❑ Rope/chain gypsy
- ❑ Neoprene deck gasket (eliminates the need for messy caulk on the deck)



Dimensions

	A	B	C	D	E	F	G	H	I
mm	153	135	94	232	64	238	162	114	138
inches	$6\frac{1}{16}$	$5\frac{5}{16}$	$3\frac{11}{16}$	$9\frac{1}{8}$	$2\frac{1}{2}$	$9\frac{3}{8}$	$6\frac{3}{8}$	$4\frac{1}{2}$	$5\frac{7}{16}$



Project 1000 is the latest breakthrough from Lofrans Windlasses, the experts in rope/chain management. Imtra offers a full range of Lofrans windlasses, including vertical (capstan or low-profile) and horizontal models. We also feature a wide selection of Imtra switchgear and accessories to help you complete your windlass system.

To find out more, or to locate a dealer near you, visit www.imtra.com or call Imtra today at 508-995-7000.



Photo: Intrepid 370, courtesy of Intrepid Yachts, Inc.