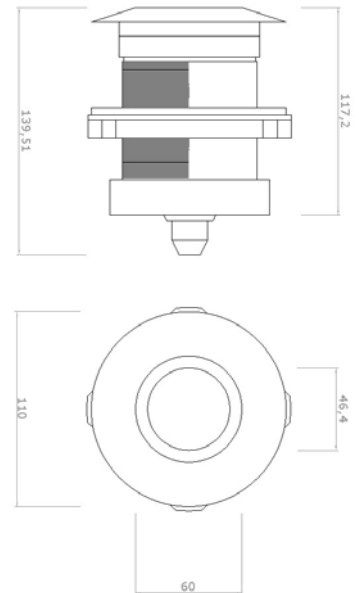




Shown with optional leveling mounting kit (ILIM82050)



IML Halogen Underwater Hull Light

The IML Underwater Hull Light is manufactured specifically for the purpose of illuminating the marine environment around and/or underneath a ship's hull. Perfect for fishing, diving or just plain entertainment. Careful consideration has been made in the selection of materials and components that make up this fixture. Its streamline bezel results in near zero drag when installed in hull's bottom. The fixture is designed to work with a 50W Halogen reflector lamp. It includes "plug & play" amp connectors (inside chamber & external) so that the unit may be easily upgraded in the future to a high output HID Xenon version. This fixture is completely serviceable from behind, making bulb changes simple and fast without the hassle of hauling the vessel.

Features and Benefits

- Machined Silicon Bronze or 316 Stainless Steel Body/Lens Bezel
- Low Profile Trim Bezel for Optimal Hydrodynamics
- Injection-Molded Glass Reinforced Nylon End Cap and S.S. Cable Gland
- Silicone Rubber Mounting Washer
- High Temperature Silicone Inner O-Ring Seals
- Optional Self-Leveling Mounting Kit (incl. floating clamp ring and 4 set screws)

IML Halogen UW Hull Light Specifications

Applications: Fiberglass or Wood Hull Bottoms & Transoms

Voltage: 12VDC or 24VDC

Amp Draw: 4.17 amps @ 12V, 2.08 amps @ 24V

Lamp (sold separately): 12V/50W MR16 24 dg., 5700 cd, 3100K Color

24V/50W MR16 38 dg., 2850 cd, 3100K Color

Max Hull Thickness: 71mm/2.8" (63mm/2.48" with silicon washer)

Cutout: 3.13" (79.5mm)

Glass Lens: 15mm Tempered Ground Glass

Casing and Bezel Material: Silicon Bronze or 316 Stainless Steel

Weight: 4.5 lbs/2.04 kg (5.5 lbs/2.5 kg with ballast)

Classifications:

