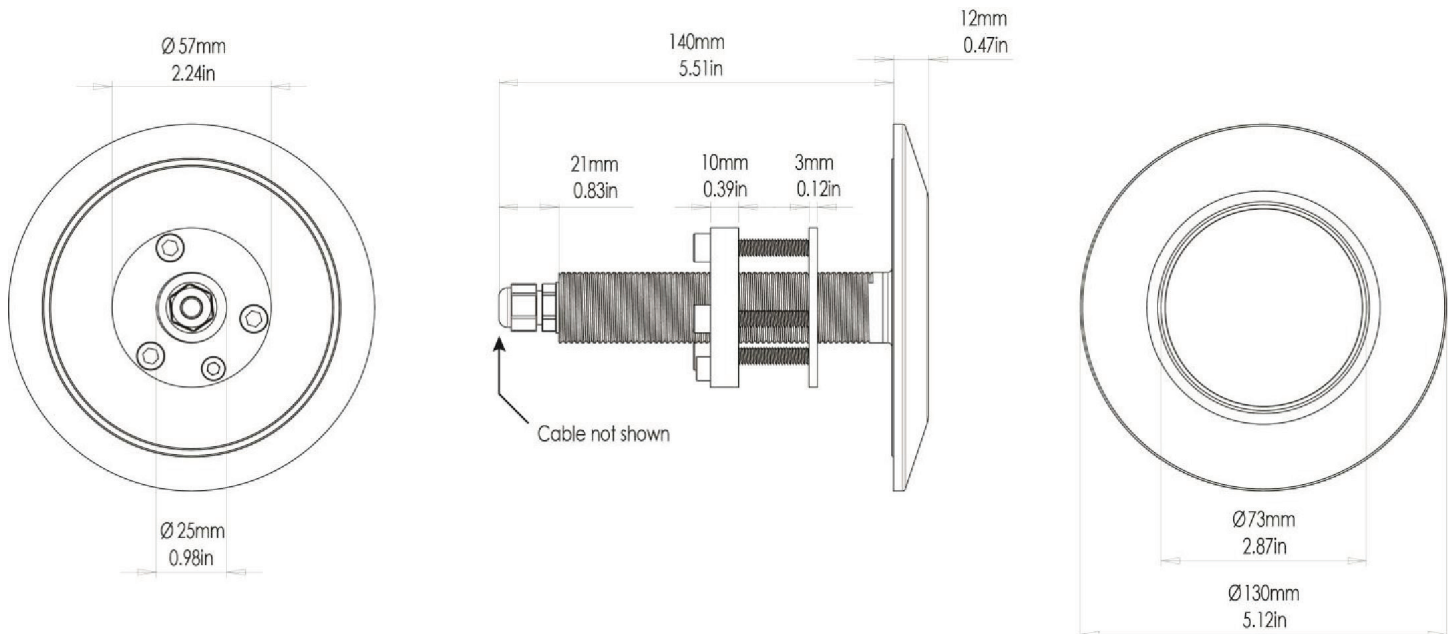




EOS Series - Color Change THX1602

THRU-HULL UNDERWATER LED LIGHT

PART DESCRIPTION	EOS THX1602 THRU-HULL UNDERWATER LED LIGHT
Available Colors	Full Color Change (RGBW)
Lumens	34,875
Fixture Lumens (White)	15,500
Number & Type Of LED	White - 36 x 10W, Green - 36 x 3W, Blue - 36 x 3W, Red - 48 x 3W
LED Power - HICOB Array	Yes
Typical LED Life	50,000+ Hours
Warranty	3 Years
User Control Options	EOS STV 2202
THX 1602 Set	2 x THX 1602 Lights, 1 x EOS STV 2202 (PN: 60-0236)



EOS Series - Color Change

THX1602

THRU-HULL UNDERWATER LED LIGHT

TECHNICAL

Driver	Multi-Channel External Driver
Supply Voltage	20 - 31 V DC (AC option also available)
Max Current Draw 24 V DC Only	6.5 A
Surge Protection	Yes (3,000V)
ATRB (Automatic Thermal Roll-Back)	Yes
Low Voltage Protection	Automatic Voltage Roll-Back Control And Low Voltage Cut Out
Auto Power Control	Yes - Intelligent Multi-Channel Power Management
"Soft Start" Electronics Protection	Yes
Reverse Polarity Protection	Yes
In Rush Current Protection	Yes
Power Line Noise Suppression	Yes
Communications Protocol	Lumi-DMX (DMX 512 and RDMX Compatible)

PHYSICAL

Beam Angle	110°
Water Ingress Protection Rating	IP68
Light Face Diameter	130 mm (5.12")
Profile (Height) Of Housing	12mm (0.47")
Shaft Length	140 mm (5.51")
Housing Type	Marine Grade Aluminum Bronze
Cable Length	3M (9.8') Standard
Hole Cut-Out for Shaft (Hole Cutter Size)	Metric: 27mm Imperial: 1-1/16 " (1.0625")
Weight	1.1 Kg (2.4lbs)
Bonding	Required
Isolation Option	Hull Isolation Sleeves Available For Metal Hull Installation

LIGHTING SYSTEM FUNCTIONALITY

Manufacturer Preset Colors	Yes
Lights Synchronized (All Lights, All Colors, All Modes)	Yes
Color Cycle	Yes
Cycle Speed Adjust	Yes
Color Sweep	Yes
Color Sweep Speed Adjust	Yes
Customizable Favorites	Yes
Fixed Strobe (Any Color)	Yes
Random Strobe Mode (Any Color)	Yes
Customizable Strobe Mode	Yes
Programmable Scenes	Yes
Wi-Fi Control (App)	Yes
External DMX/RDMX	Yes
Individually Addressable Lights	Yes
Sound-To-Light	Yes
Groups	Yes
Automatic Light Discovery and Setup	Yes
Light Brightness Adjustment	Yes
Diagnostic Function	Yes

ACCESSORIES **PART NUMBER**

EOS STV 2202	60-0206
THX 1602 Light	60-0237