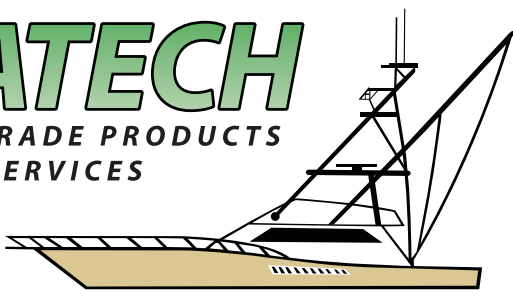


# SEATECH

MARINE GRADE PRODUCTS  
& YACHT SERVICES



## KE-4+ Electronic Engine Controls

**NHK MEC**  
Mechanical & Electronic Controls



### Application

For boats with mechanical shift and throttle engines

### Features

Designed for inboards, outboards, stern drives, gas or diesel marine vessels

Simple and Quick Installation  
- Extra Setup tool not required

Smooth throttle and gear shift - up to 4 engines

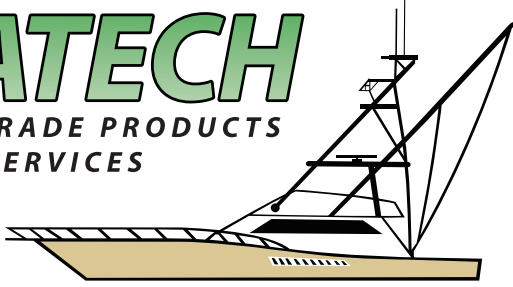
Up to 4 Stations - Plus one handheld remote station

Start in gear protection

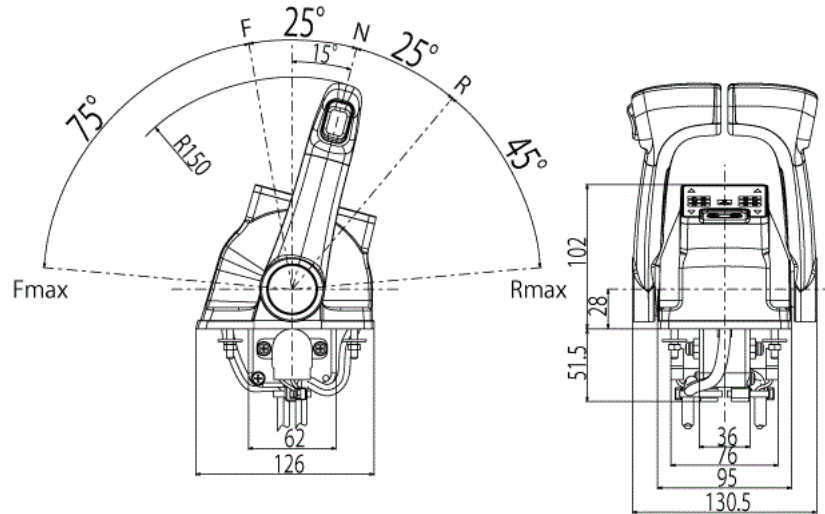
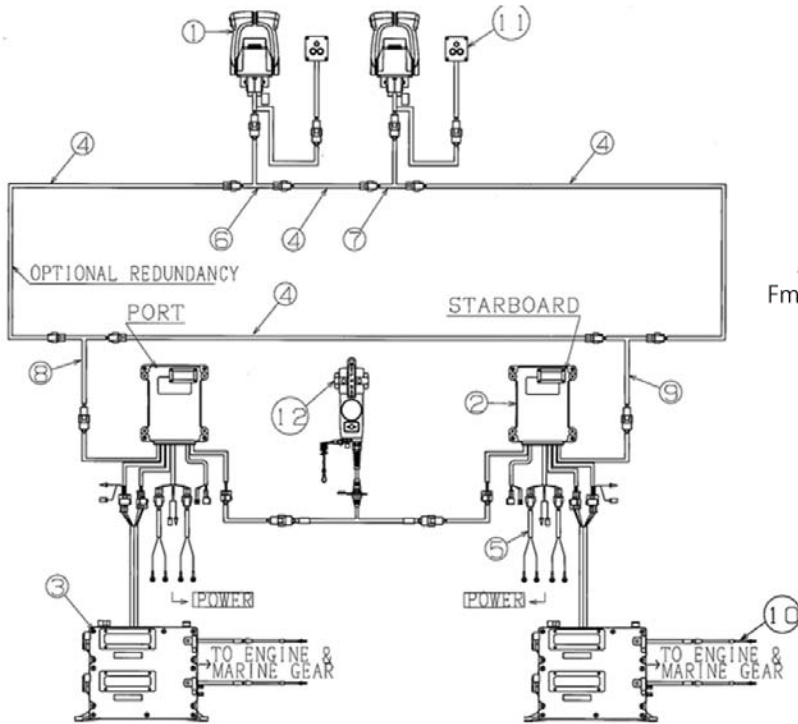
Neutral warm up function



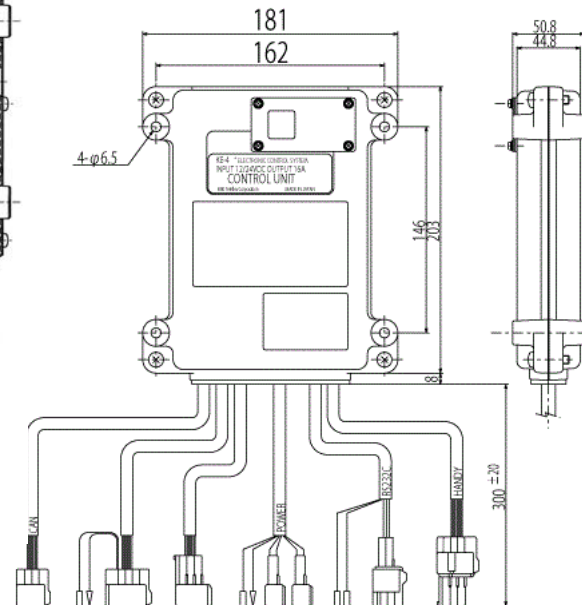
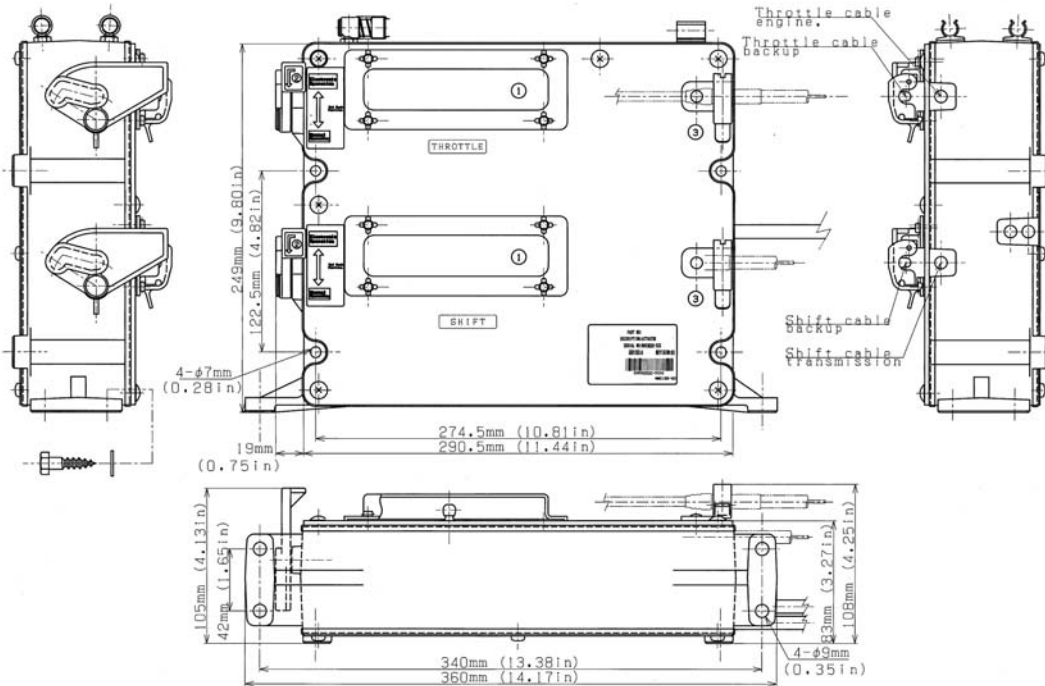
For Technical or Purchasing Inquires:  
Call 619.222.9613 or Email us [info@SeatechMarineProducts.com](mailto:info@SeatechMarineProducts.com)  
2608 Shelter Island Dr. San Diego, CA 92106



## KE-4+ Electronic Engine Controls



Dimensions in mm.



Dimensions in mm

For Technical or Purchasing Inquires:  
 Call 619.222.9613 or Email us [info@SeatechMarineProducts.com](mailto:info@SeatechMarineProducts.com)  
 2608 Shelter Island Dr. San Diego, CA 92106