

2.4.4 Pole mount dimensions

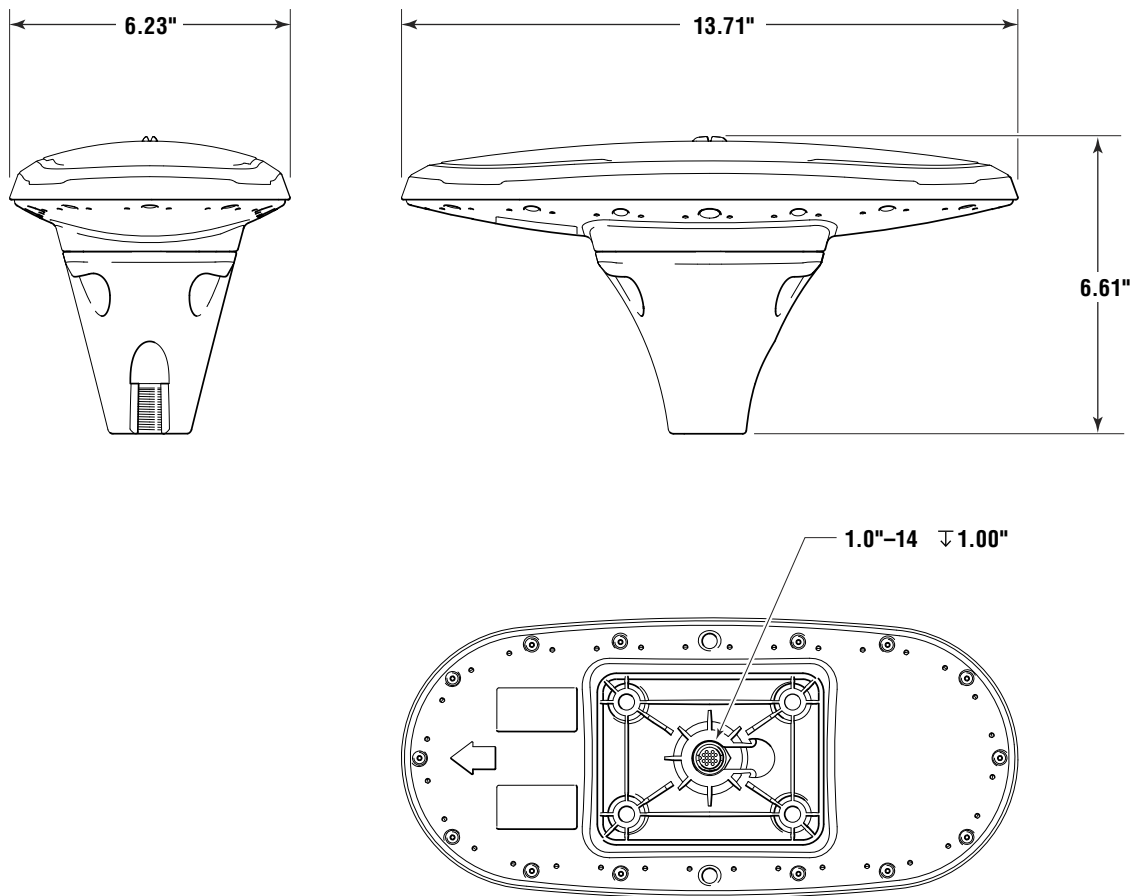


Figure 2-5 : Sensor with pole mount accessory dimensions.

2.4.5 Cable considerations

Before mounting the sensor, consider the following regarding cable routing:

- Avoid running the cable in areas of excessive heat
- Keep cable away from corrosive chemicals
- Do not run the cable through door or window jams
- Keep cable away from rotating machinery
- Do not crimp or excessively bend the cable
- Avoid placing tension on the cable
- Remove unwanted slack from the cable at the sensor end
- Secure along the cable route using plastic tie wraps



WARNING!

Improperly installed cable near machinery can be dangerous.